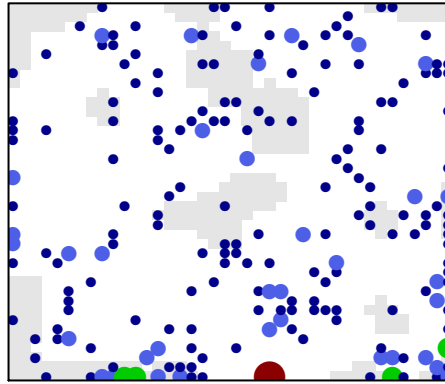
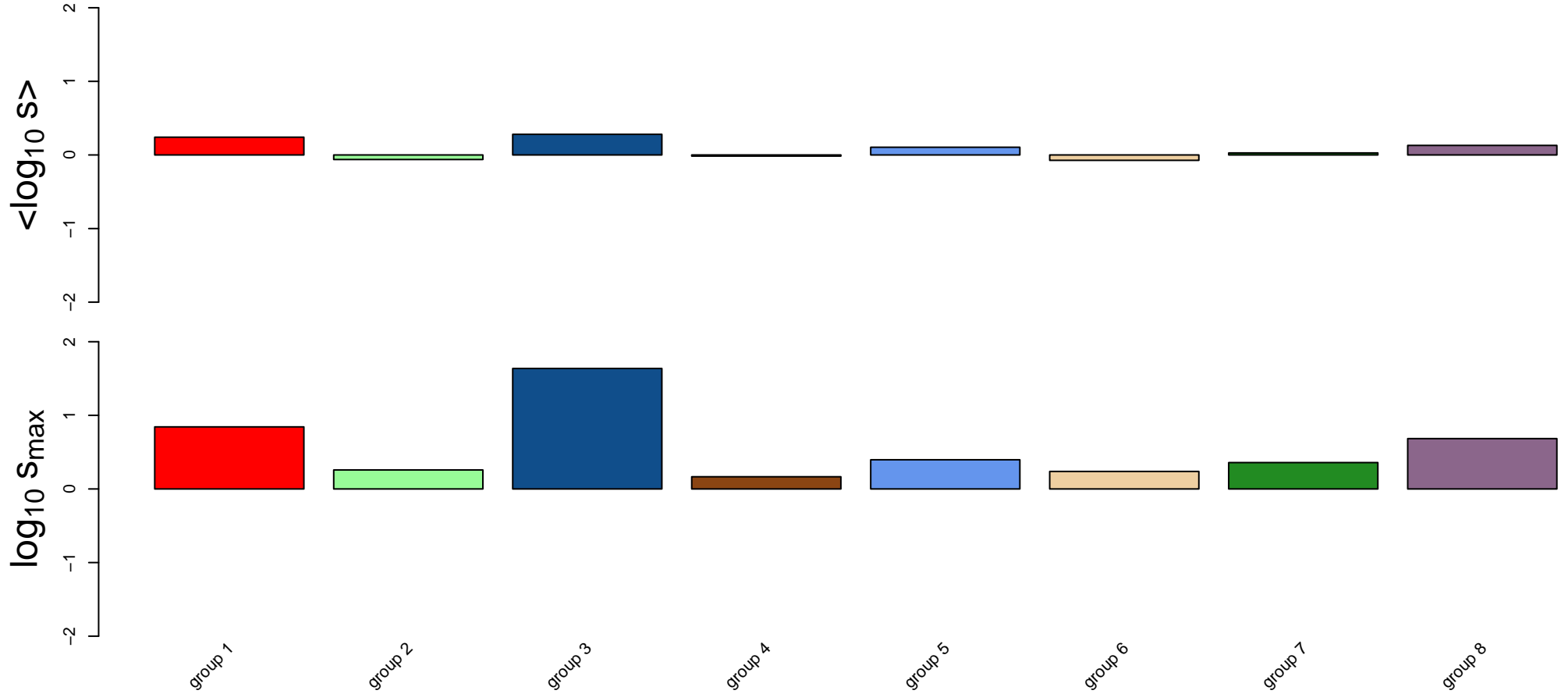
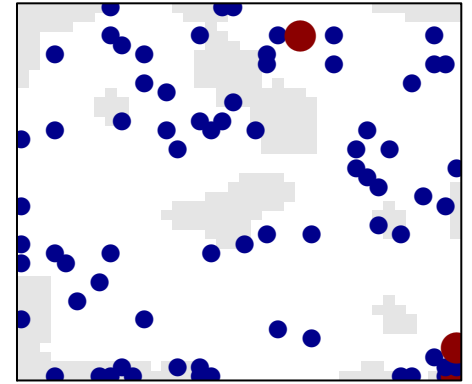


# Estrogen signaling pathway

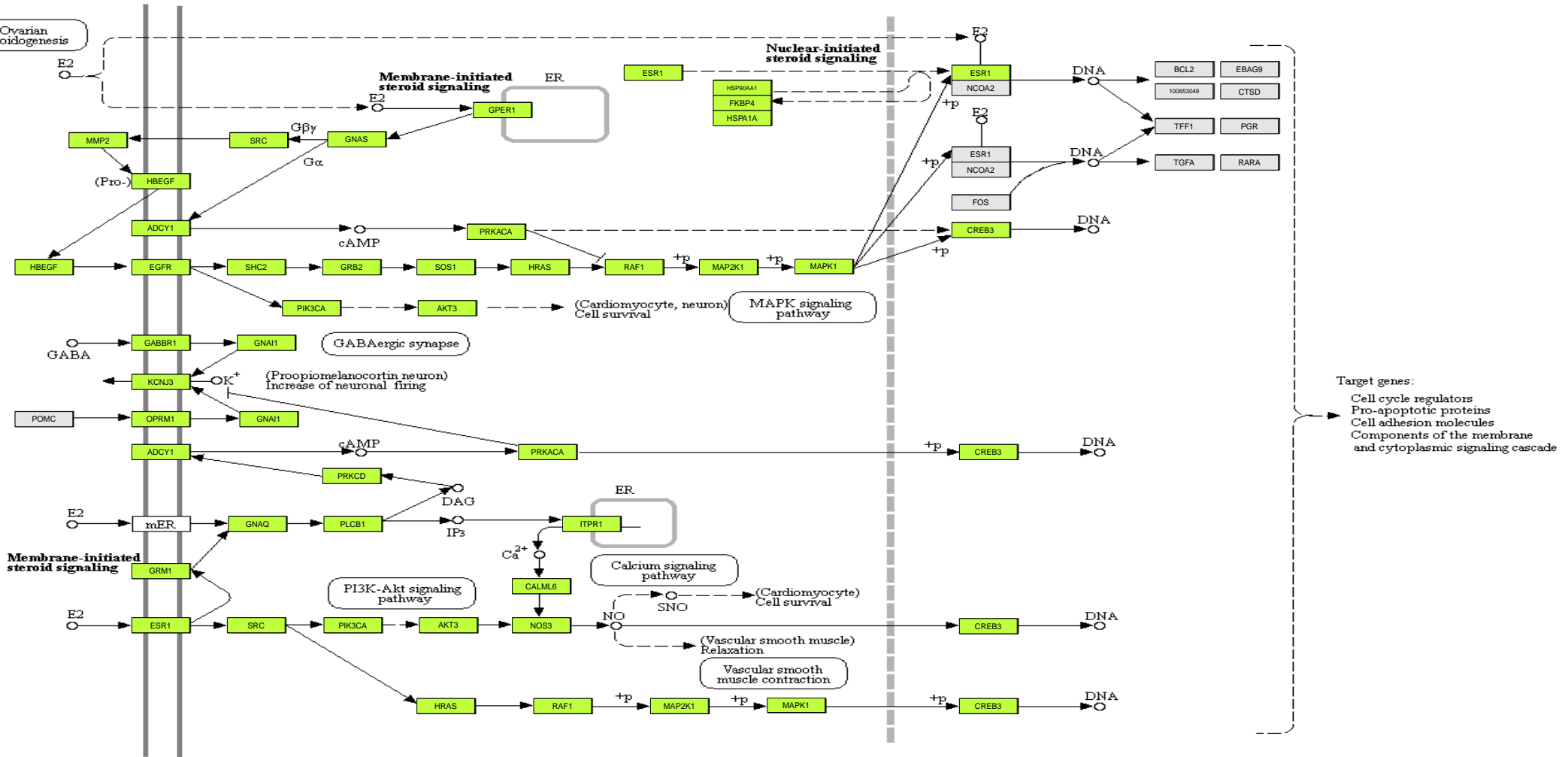
all genes



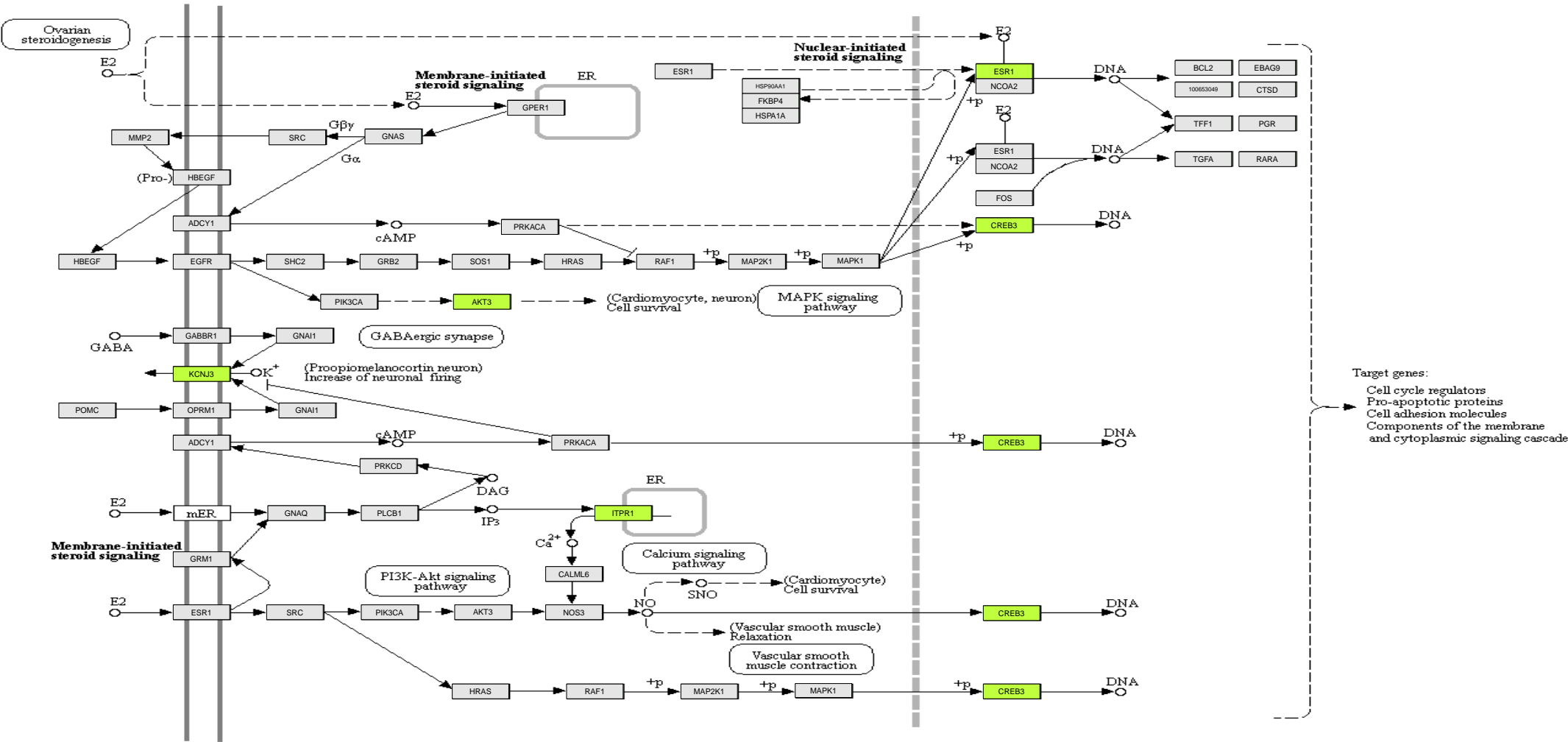
sink node genes



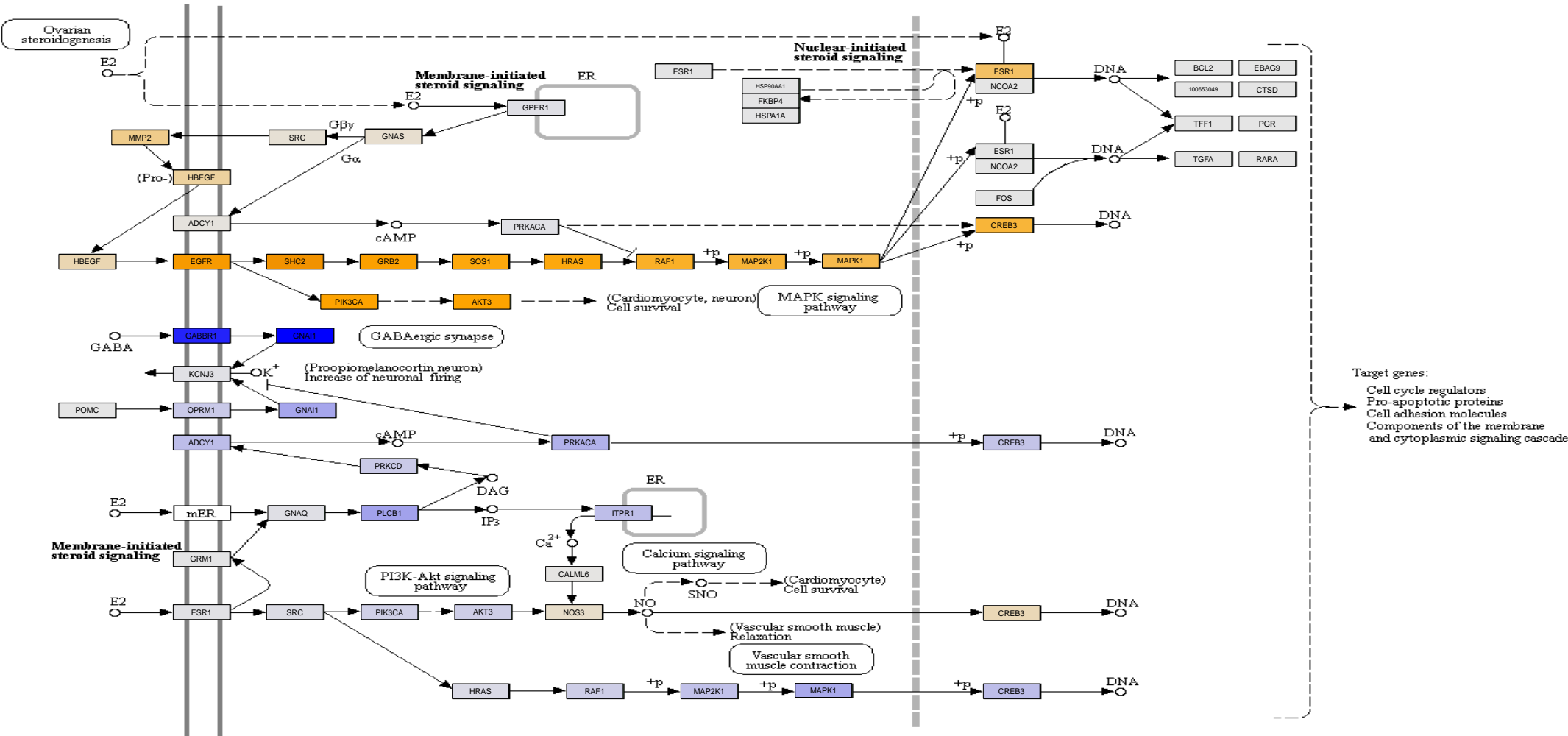
Estrogen\_signaling\_pathway  
genes with data



Estrogen\_signaling\_pathway sink nodes

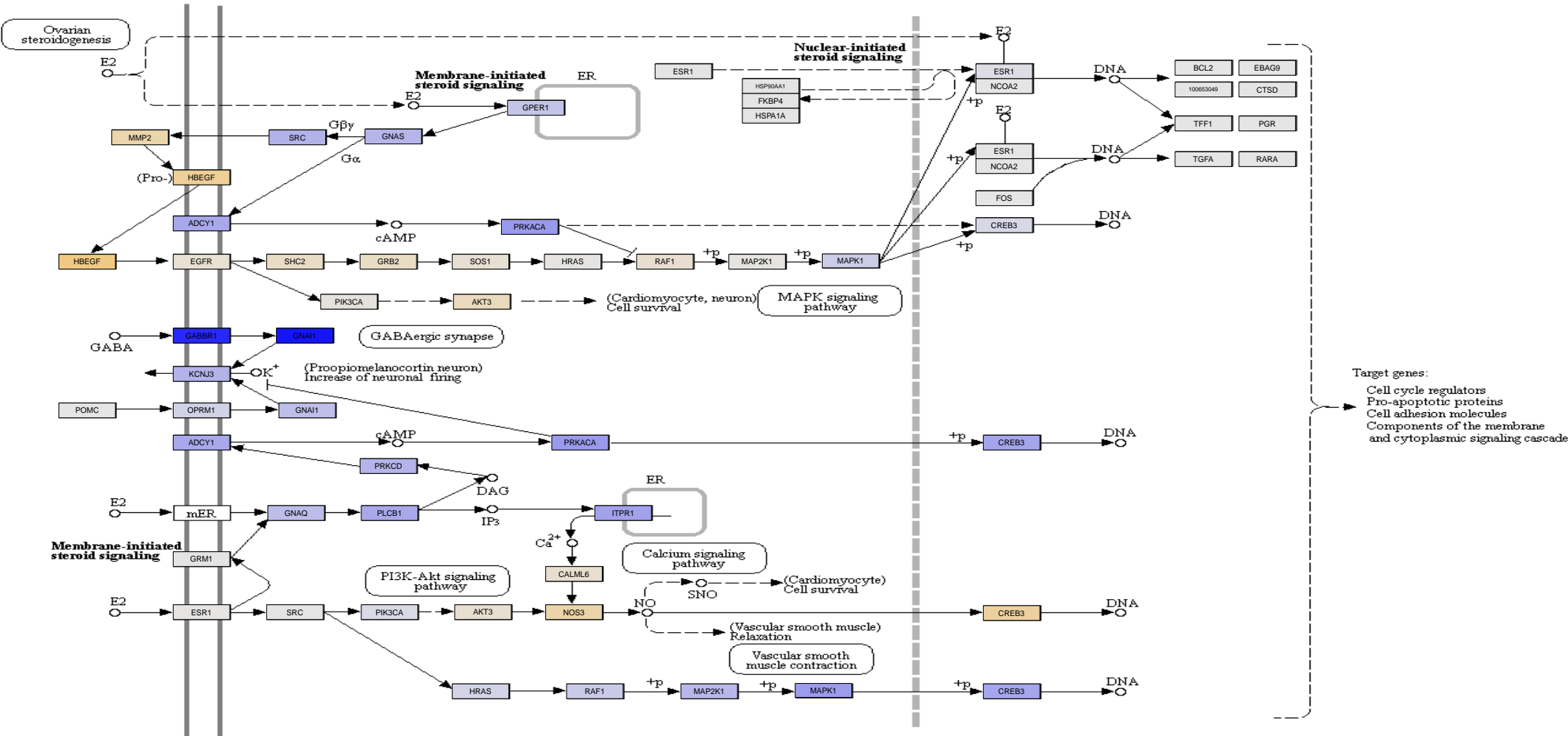


Estrogen\_signaling\_pathway group 1

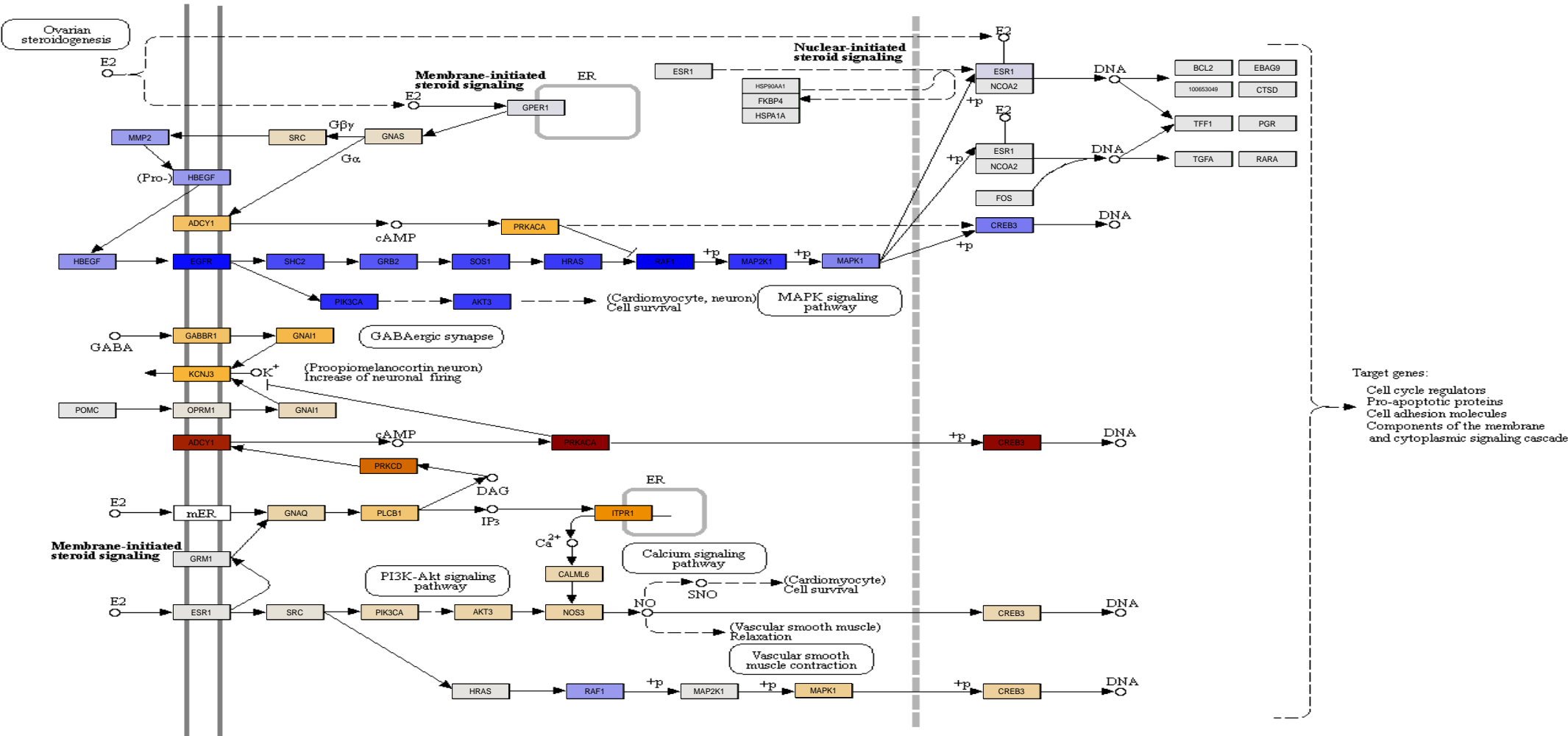


Target genes:  
 Cell cycle regulators  
 Pro-apoptotic proteins  
 Cell adhesion molecules  
 Components of the membrane and cytoplasmic signaling cascade

Estrogen\_signaling\_pathway\_group 2

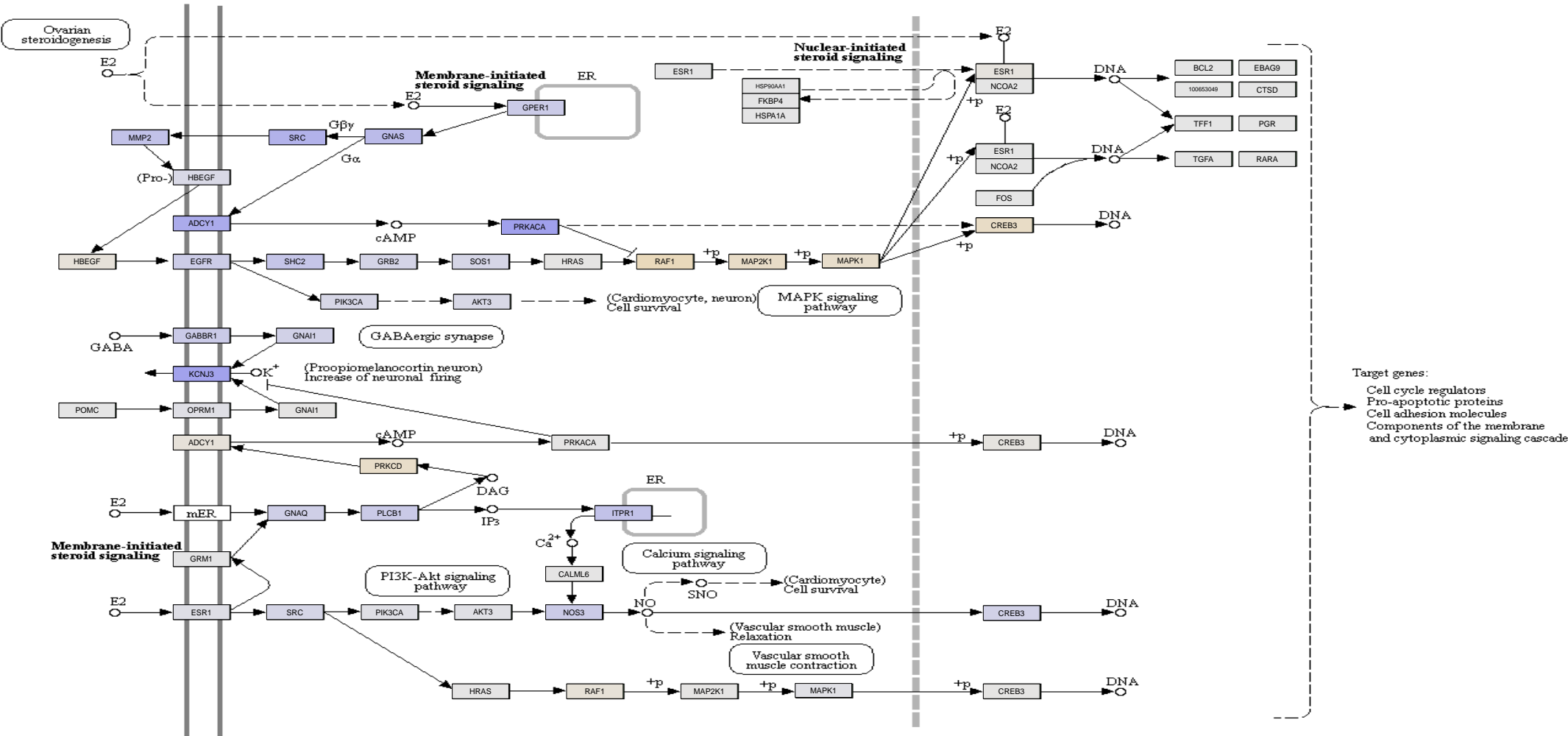


Estrogen\_signaling\_pathway\_group 3



Target genes:  
 Cell cycle regulators  
 Pro-apoptotic proteins  
 Cell adhesion molecules  
 Components of the membrane and cytoplasmic signaling cascade

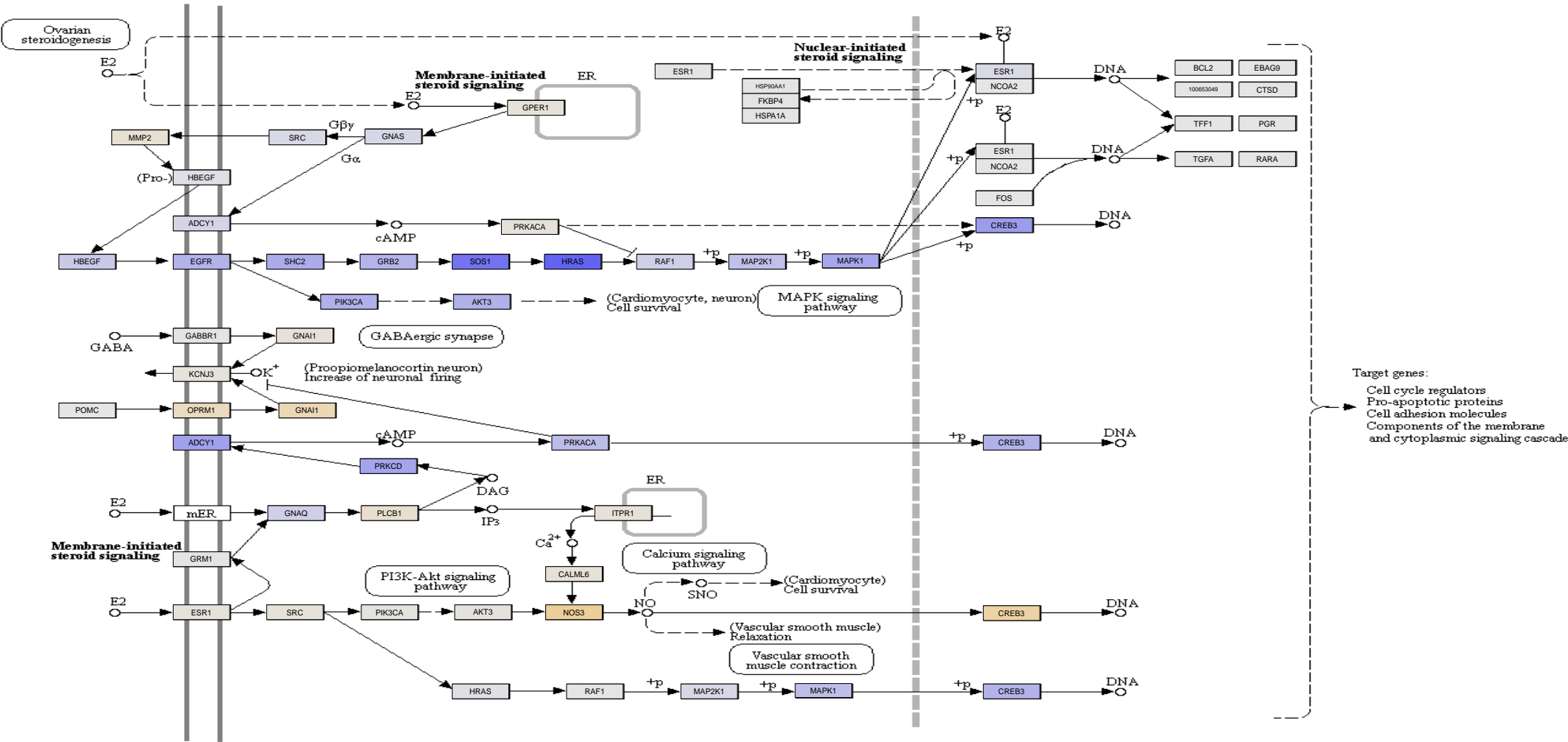
Estrogen\_signaling\_pathway group 4





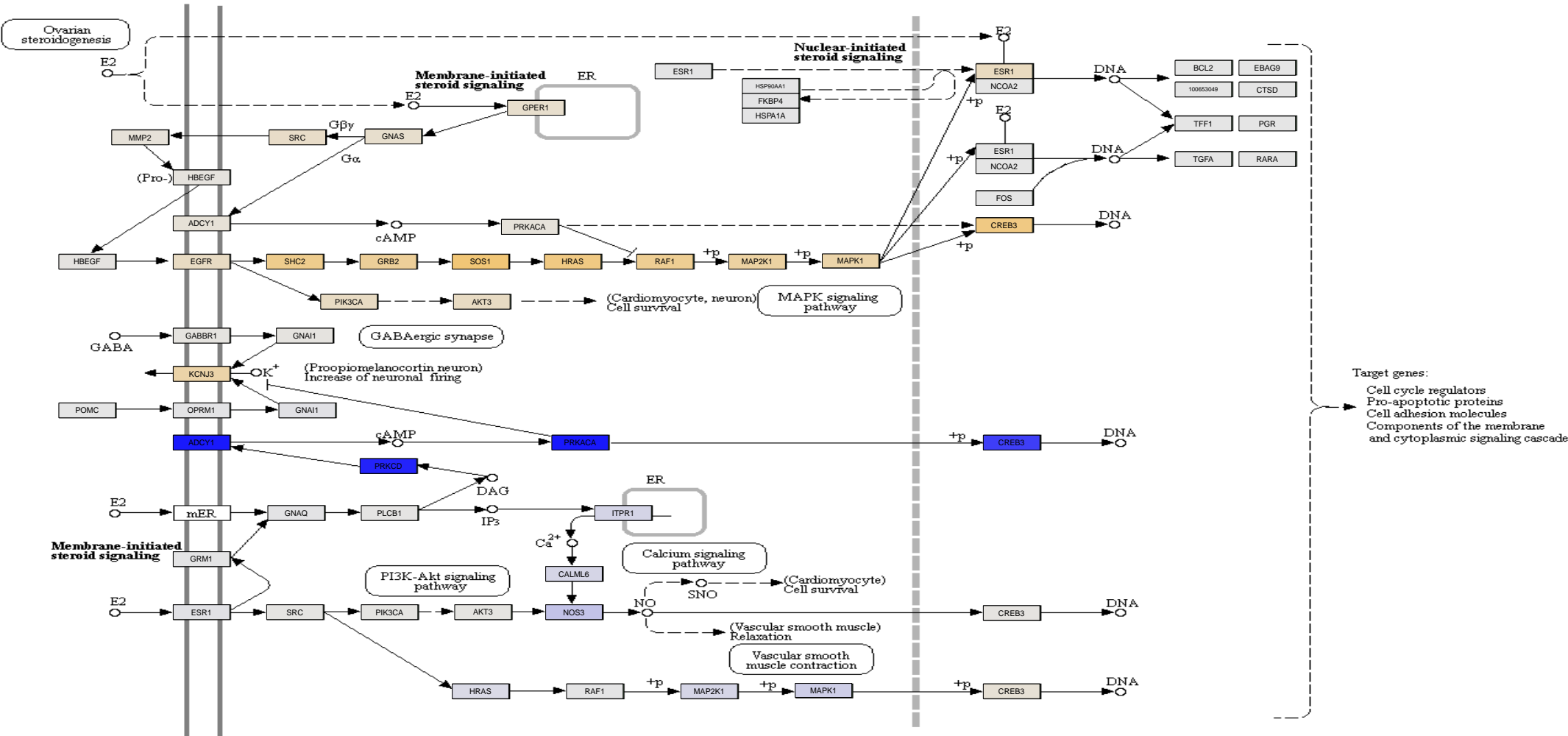


Estrogen\_signaling\_pathway group 6



Target genes:  
 Cell cycle regulators  
 Pro-apoptotic proteins  
 Cell adhesion molecules  
 Components of the membrane and cytoplasmic signaling cascade

Estrogen\_signaling\_pathway group 7



Estrogen\_signaling\_pathway group 8

